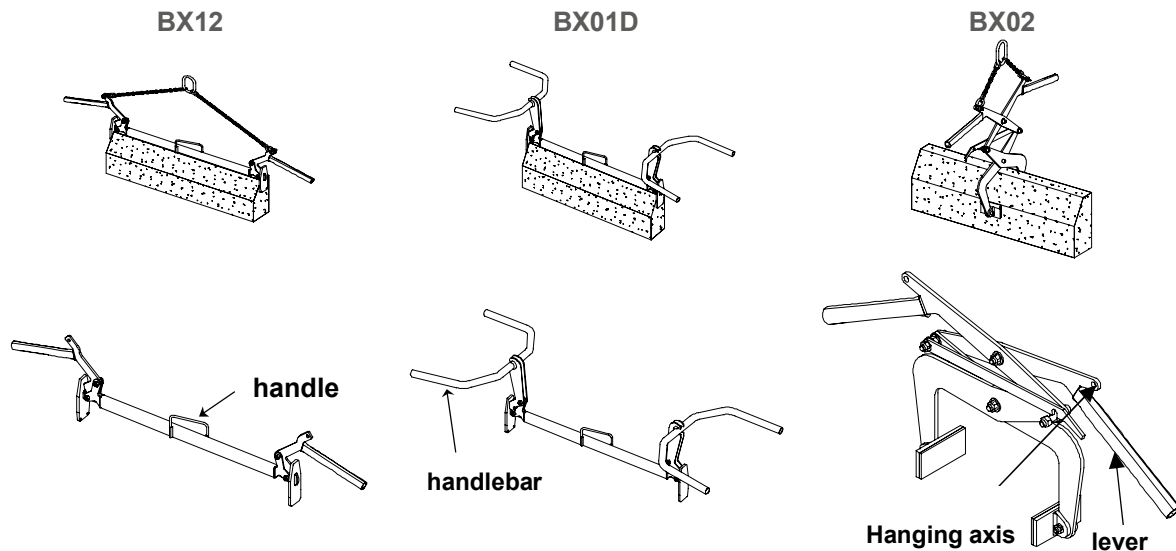


APPLICATIONS

BX12: manual handling or handling with sling of concrete kerbstones with standard 1000 mm length. For handling with a lifting machine on site, we recommend using the BX200 kerbstone clamp, which is specially adapted for this employment

BX01D: manual handling of concrete kerbstones with standard 1000 mm length.

BX02: manual handling or handling with lifting machine of concrete elements – particularly kerbstones - with width from 120 to 300 mm.



DESCRIPTION

BX12 and BX01D: these models are equipped with handles so as to facilitate their transport.

BX01D: 2 handlebars make manual handling easier.

BX02: this clamp is fitted with an automatic lower lock and rubber coated pads ensure a great adherence without marking the load.

BX12 and BX02 are fitted with lifting eyes which enable two-legged slinging.

Clamping is proportional to the load, minimising the damage risk.

FUNCTIONING

BX12: (when handling with lifting machine, hang the clamp, which has previously been slinged*) place the clamp on the kerbstone lengthwise and perform lifting.

BX01D: fit the clamp onto the kerbstone lengthwise and perform lifting.

BX02: (when handling with lifting machine, hang the clamp, which has previously been slinged*) fit the clamp – locked open – onto the kerbstone widthways. Lift up the lever whilst starting off the lift and keep it up to prevent it from locking again onto the fastening screw. When laying down, the clamp automatically locks itself in the open position.

* see chart with dimensional characteristics

IMPORTANT INSTRUCTIONS

- Pads must be free from grease or oil.
- Do not lift greasy or oily pieces.
- When manually handling, operators must perform the lift simultaneously.
- BX12 and BX01D: working temperature: -20° to +100°C.
- BX12 and BX01D: do not lift loads with length other than 1 meter within a tolerance of ± 10 mm.
- BX01D: this model cannot be used with a lifting machine.

- The minimum weight of lifting load should be equal to 5% of the clamp's WLL (eg if clamps WLL is 1000 kg, then minimum weight is 50 kg). This value is given for a clamp in perfect working order and respecting Tractel Solutions SAS conditions of use and recommendations. Consult Tractel in case of loads with weight inferior to the minimum recommended value.
- Lifting clamps are not suitable for creating permanent joints.
- BX02: working temperature: -20° to +90°C.

GENERAL CHARACTERISTICS

- Manufactured without load bearing welds.
- Hot epoxy coating.
- Safety factor: 3 in accordance with the EN 13155.2003 norm.
- Product conforms to the French regulation, in particular the decree of 01/03/2004 relating to the check on lifting devices and the European Directive n°98/37.
- Product with EC marking and delivered with a declaration of conformity and instructions for use.

DIMENSIONAL CHARACTERISTICS

Ref.	Group code	WLL kg	Opening min max	A max	B	Hole Ø	Chain sling L	C min max	E min max	F min max	G	H	I	J	K	L	M Ø	Weight kg	
BX12 1000	54008	120	1000	1685	10	12	660	1024	89	370	195	70	X	X	X	X	X	9	
BXE1	54018	120	2-legged chain sling for BX12/ L=700 mm/ Ø 6 mm/ grade 80 fitted with HR 0,75 t shackles													110	60	13	2
BX01D 1000	50018	100	1000	1731	10	X	X	1024	89	440	195	70	X	X	X	X	X	13	
BX02 120 300	50028	200	120 300	944	13	12	290	397 450	190 215	398 686	60	120	16	80	X	X	X	10	
BXE2	54038	200	2-legged chain sling for BX02/ L=290 mm/ Ø 6 mm/ grade 80 fitted with HR 0,75 t shackles													110	60	13	1

Dimensions in mm

